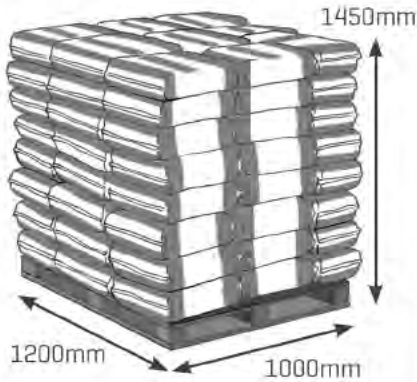
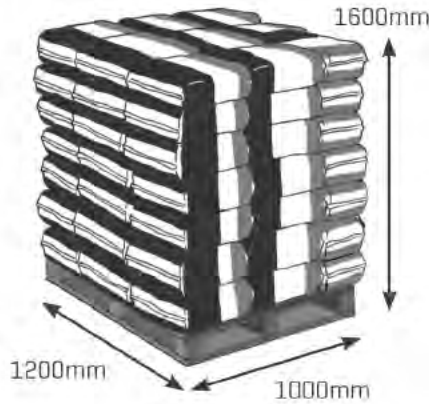


HEATING PELLETS



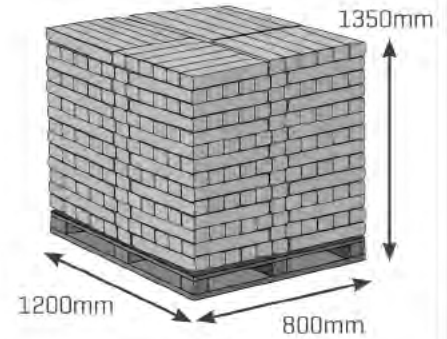
96 x 10kg bags on a pallet,
total weight 960kg

HORSE BEDDING



65 x 15kg bags on a pallet,
total weight 975kg

BRIQUETTES



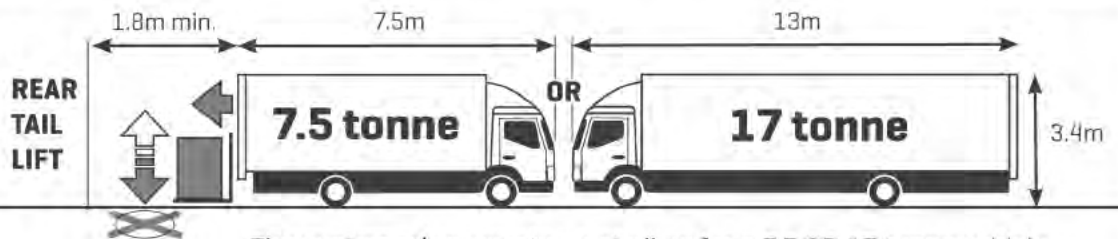
Supplied in packs of 6 and there
are 96 packs on a pallet,
total weight 960kg

DELIVERY



Courier will ring to
arrange delivery.

DELIVERY VEHICLE



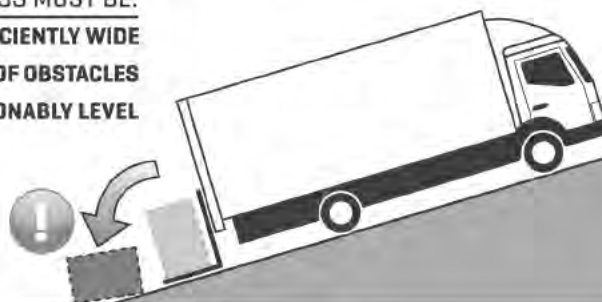
The customer's property must allow for a 7.5 **OR** 17 tonne vehicle.
Without adequate access delivery will be kerbside only.

VEHICLE ACCESS

ACCESS MUST BE:

- ◀ SUFFICIENTLY WIDE
- ◀ FREE OF OBSTACLES
- ◀ REASONABLY LEVEL

2.8m min. width



Hand pump trucks **will not**
operate on soft ground or
loose gravel